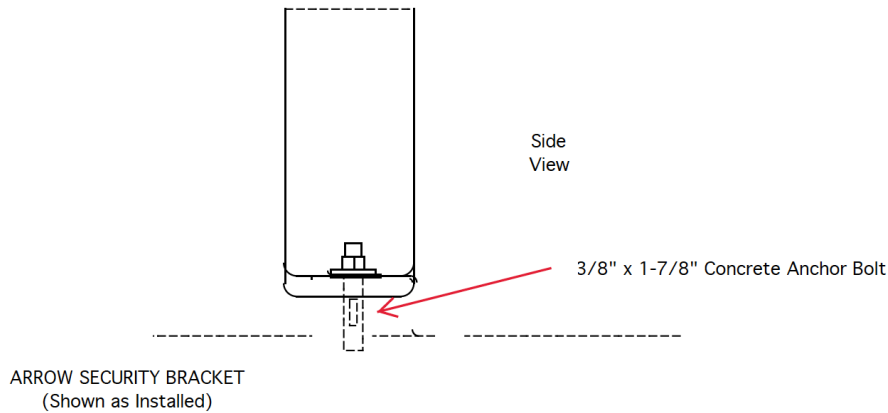


# Arrow Bench Security Bracket Installation



## MOUNTING INSTRUCTIONS

1.  
Mount (2) brackets on each bench end leg into the pre-drilled holes. To ensure the bench is properly prepared, ensure the security brackets are on the same order as the Arrow bench.
2.  
Place bench into position and mark the location of the concrete anchor holes.
3.  
Drill a 3/8" hole into concrete, insert anchor, and mount bench.  
For non-concrete surfaces, use appropriate fasteners.

PLEASE NOTE: THESE INSTRUCTIONS ARE SUBJECT TO CHANGE WITHOUT NOTICE.