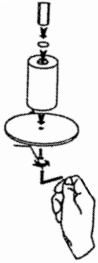


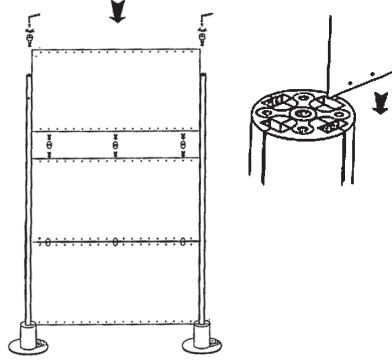
Slalom Assembly Instructions

1



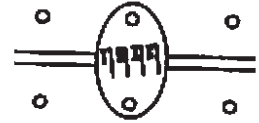
Attach base plate and collar to upright pole with supplied flat head screw and Allen Wrench. Once attached, slide spacer ring down over the upright pole so that it rests on the top of the collar

2



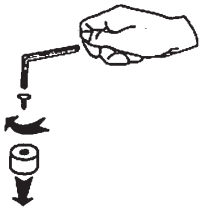
Space upright poles approximately 42" apart and insert panels from the top down.

3



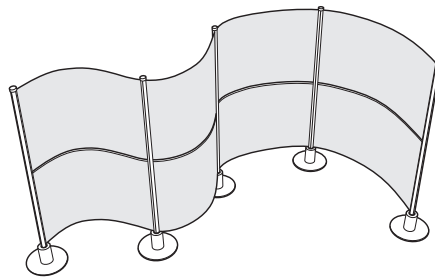
Add the [3] translucent connector elements between panels.

4



Affix the top caps onto each upright using the provided screws and Allen Wrench.

5



The panel curvature is determined by moving the uprights closer or farther apart.

Components

- (a) Upright Pole
- (b) Spacer Ring
- (c) Collar
- (d) Plate
- (e) Screw
- (f) Allen Wrench

