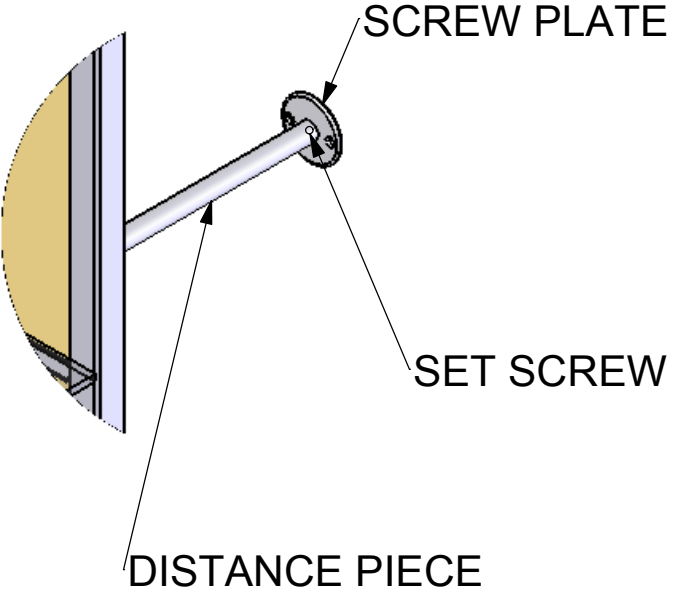


### Installation Instructions



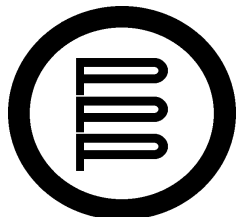
**Product name** FLOOR STANDING SHELVING  
**Model** SF2476

**TOOLS INCLUDED**  
 - Allen wrench 2.5 mm

**HARDWARE INCLUDED**  
 - 8 pcs. drywall screws plus insert  
 - 4 pcs. Distance Piece

**INSTALLATION STEPS**

1. Attach floor supports.
2. Attach wall mount distance pieces (4) to the back of the uprights by sliding down groove. Tighten in place.
3. Set unit in desired location, level and plumb. Mark the hole location through the screw plates.
4. Remove unit from wall. Remove screw plates and attach the screws plates to the wall with supplied hardware.
5. Set shelving unit in place, guiding the distance piece into the screw plates. Tighten set screws.
6. Attach shelf bracket into aluminum profile.
7. Install shelves.



17929 S. Susana Road, Compton, CA 90224  
 Phone 800.496.0204 Phone 310.639.0390 Fax 310.639.6013  
 www.peterpepper.com e-mail: info@peterpepper.com