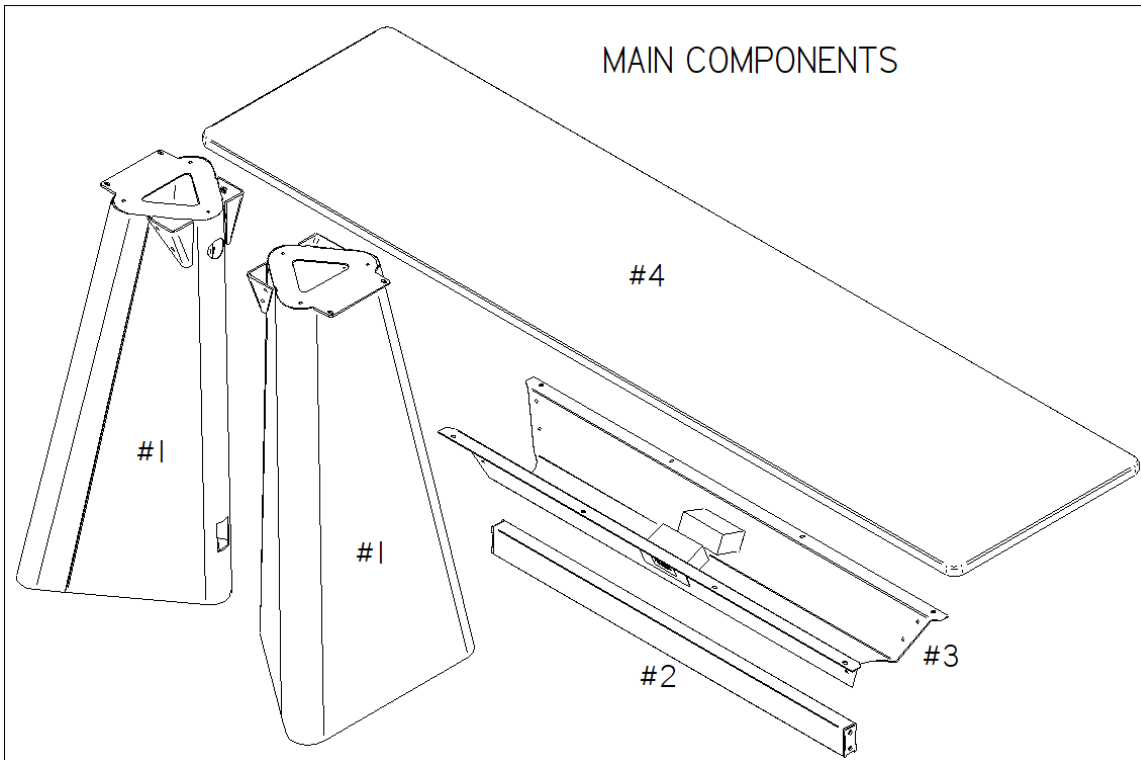
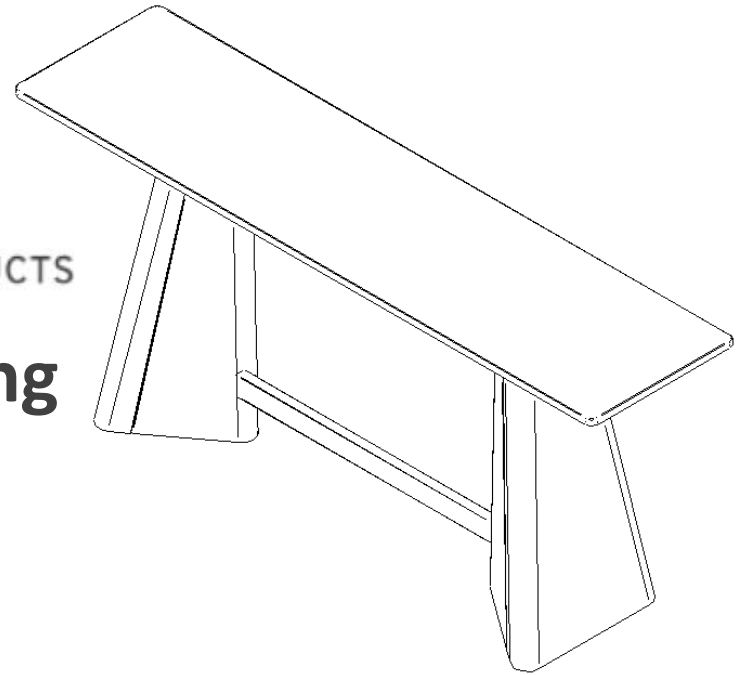


PETER PEPPER PRODUCTS

Go-To Freestanding Worktable with Pedestal Base

Installation Manual

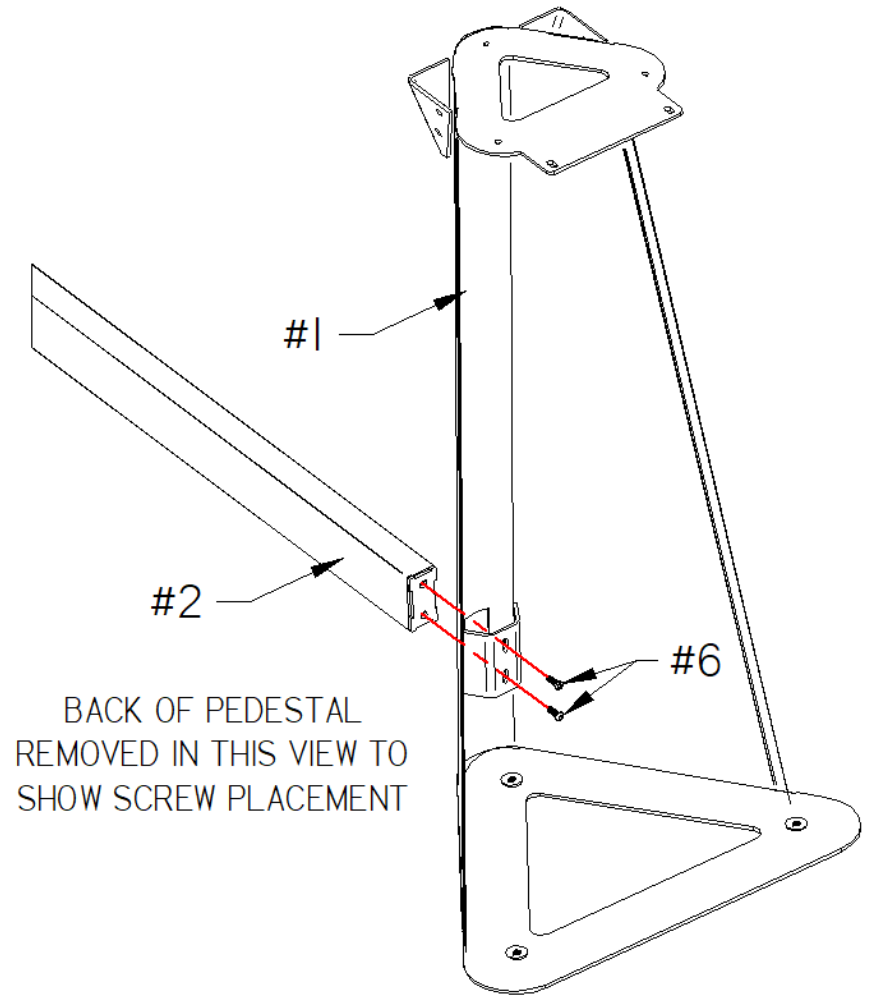
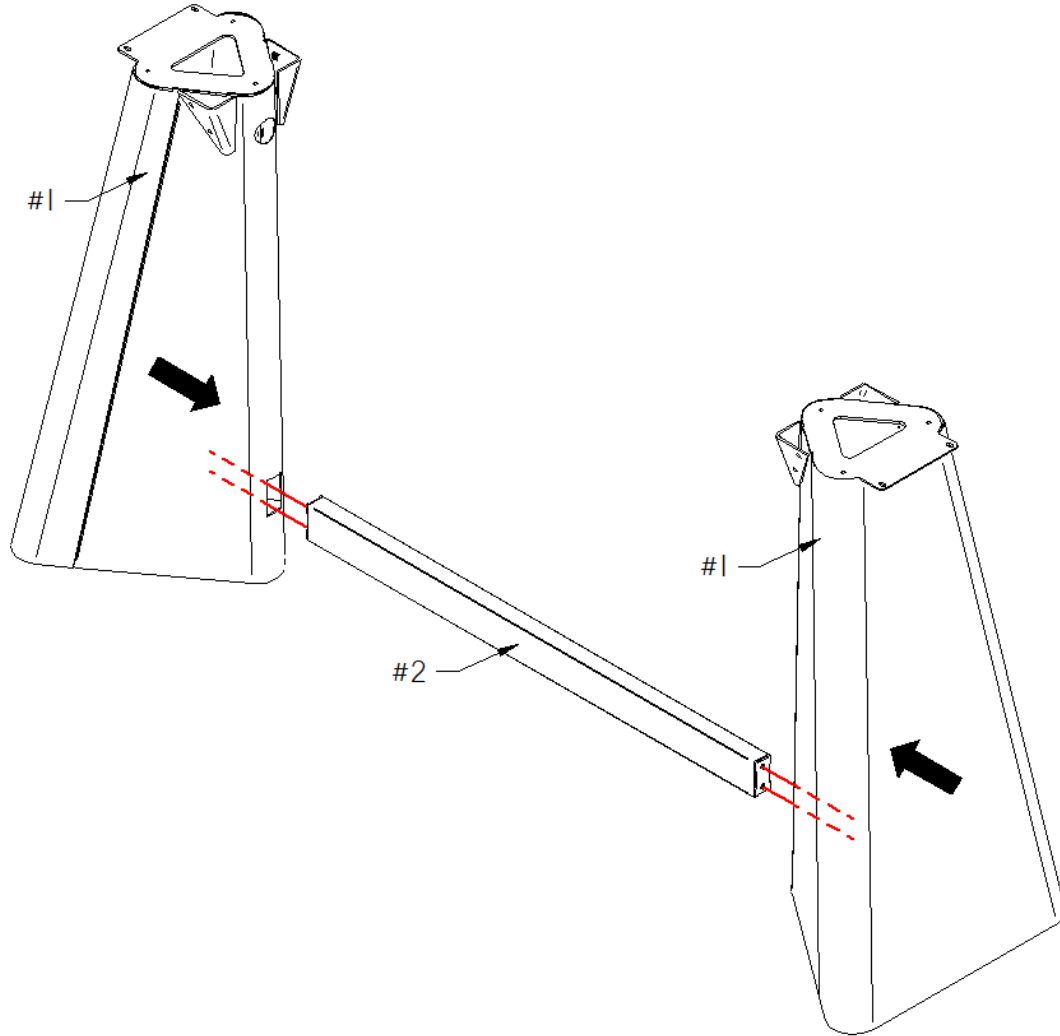


GO-TO PEDESTAL BOM		
Item #	Description	Quantity
1	PEDESTAL BASE	2
2	PEDESTAL BOTTOM BRACE	1
3	PEDESTAL TRAY	1
4	WORKTABLE TOP	1
5	1/4-20 X 1/2" HEX/ALLEN DRIVE BUTTON HEAD SCREW	12
6	1/4-20 X 3/4" TORX DRIVE BUTTON HEAD SCREW	12
7	HOOK	2
8	PEDESTAL LEVELERS	6



Step 1

Fasten Pedestals to Lower Horizontal Brace





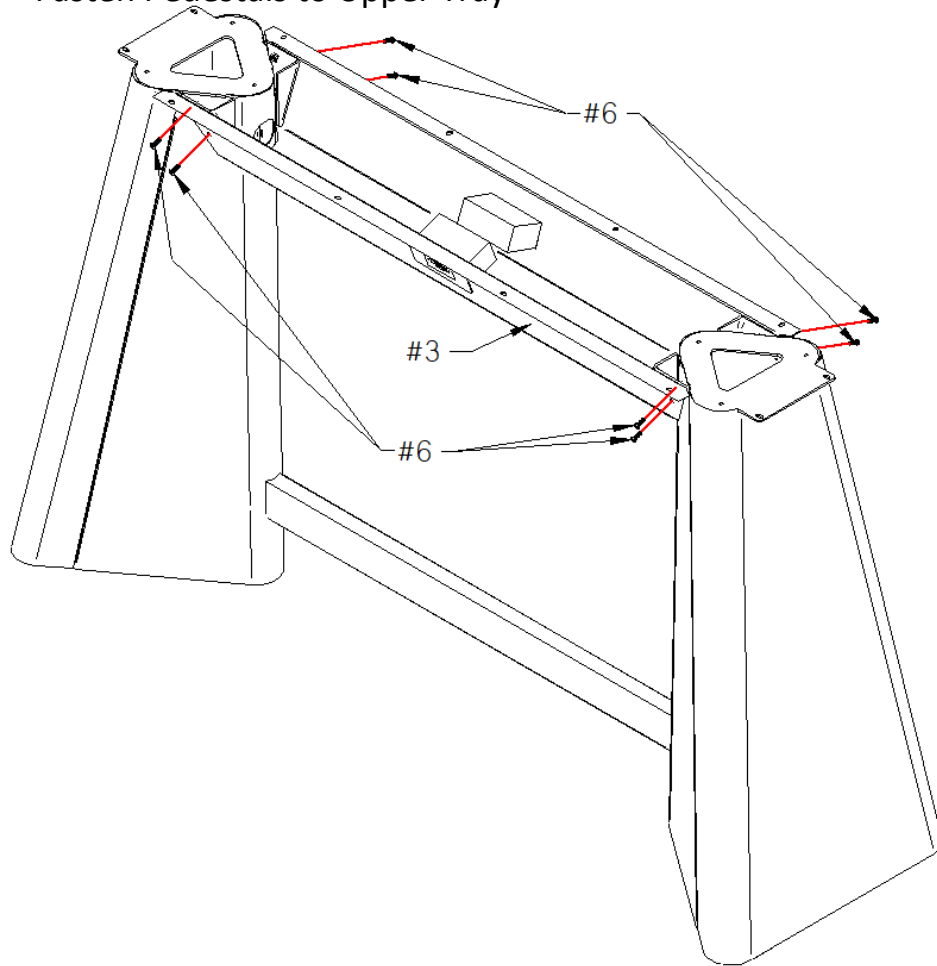
PETER PEPPER PRODUCTS

Go-To Wall

Installation Manual

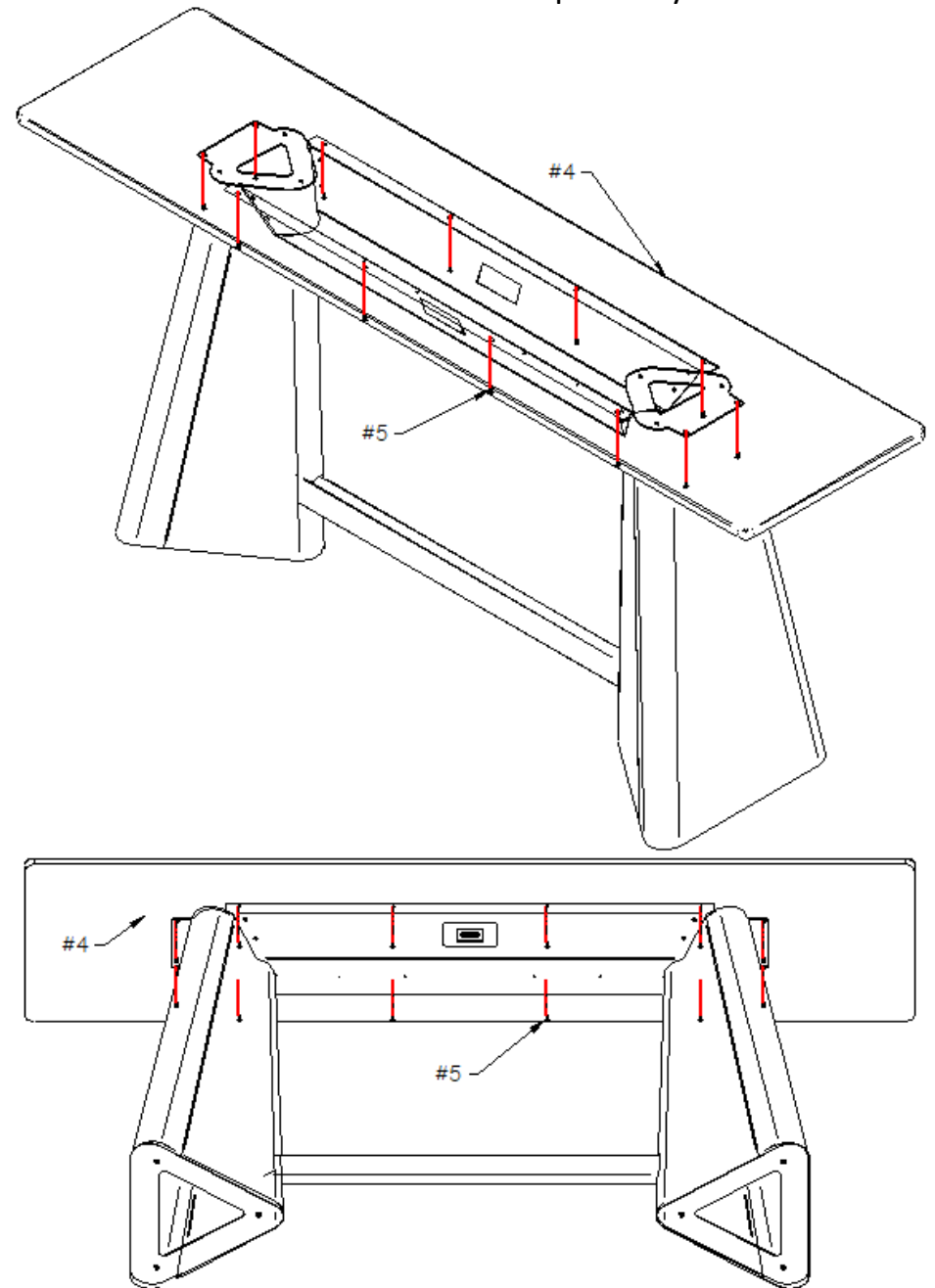
Step 2

Fasten Pedestals to Upper Tray

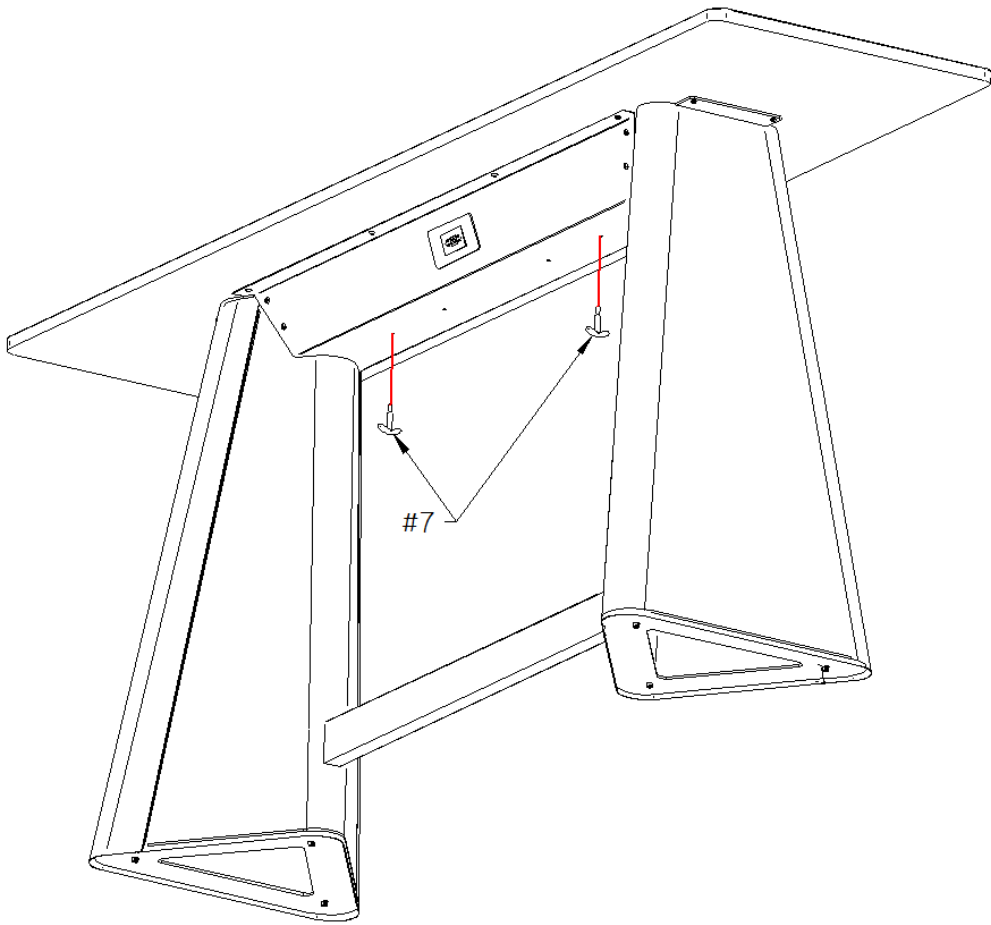


Step 3

Install Worktable Top to Tray and Pedestals



Step 4
Install Hooks to Bottom of Tray



Step 5
Level Worktable by Adjusting Levelers

