

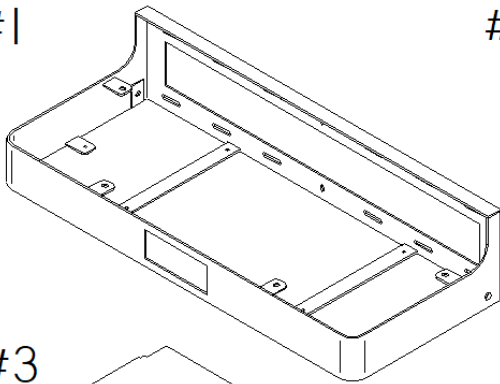
PETER PEPPER PRODUCTS

Go-To Wall Worktable

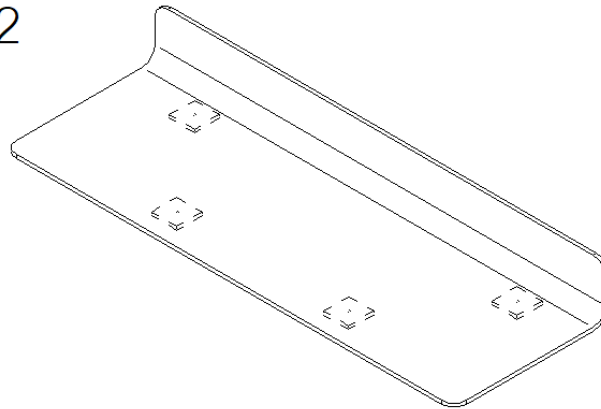
Installation Manual

MAIN COMPONENTS

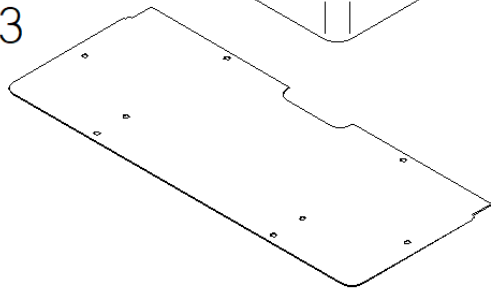
#1



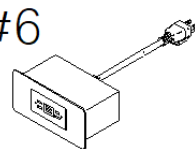
#2



#3



#6



GO-TO WALL WORKTABLE BOM

Item #	Description	Quantity
1	GO TO WALL SHELF	1
2	GO TO WALL TOP	1
3	GO TO WALL SHELF LINER	1
4	1/4-20 X 3/8 BUTTON HEAD SOCKET CAP SCREW	10
5	HOOK	2
6	ELECTRICAL MODULE	1

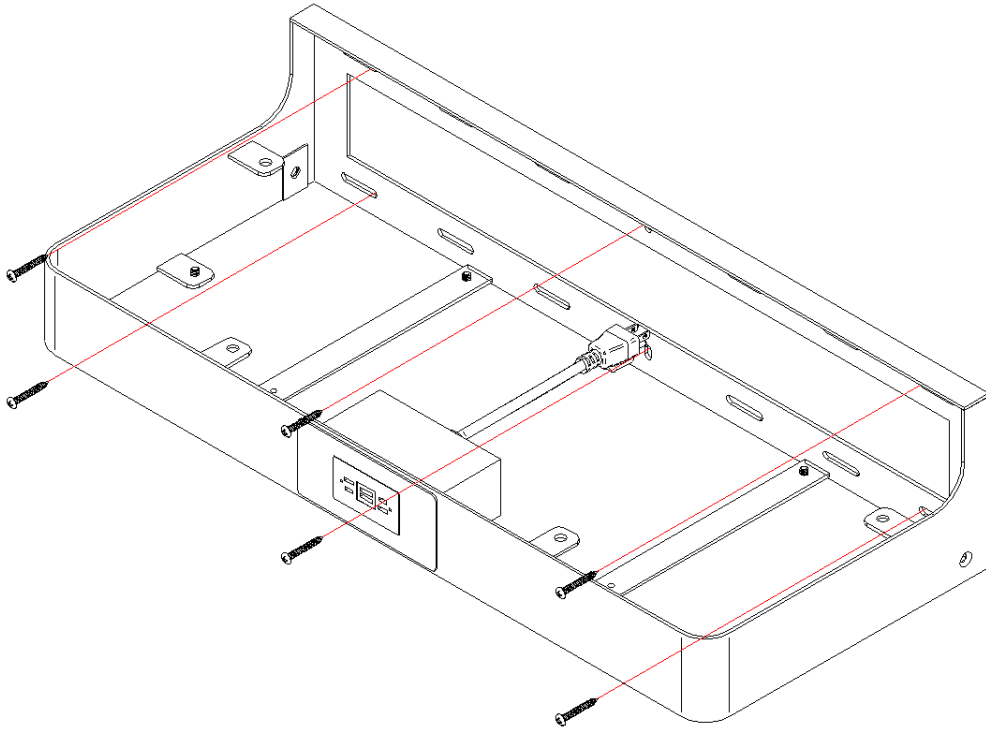


PETER PEPPER PRODUCTS

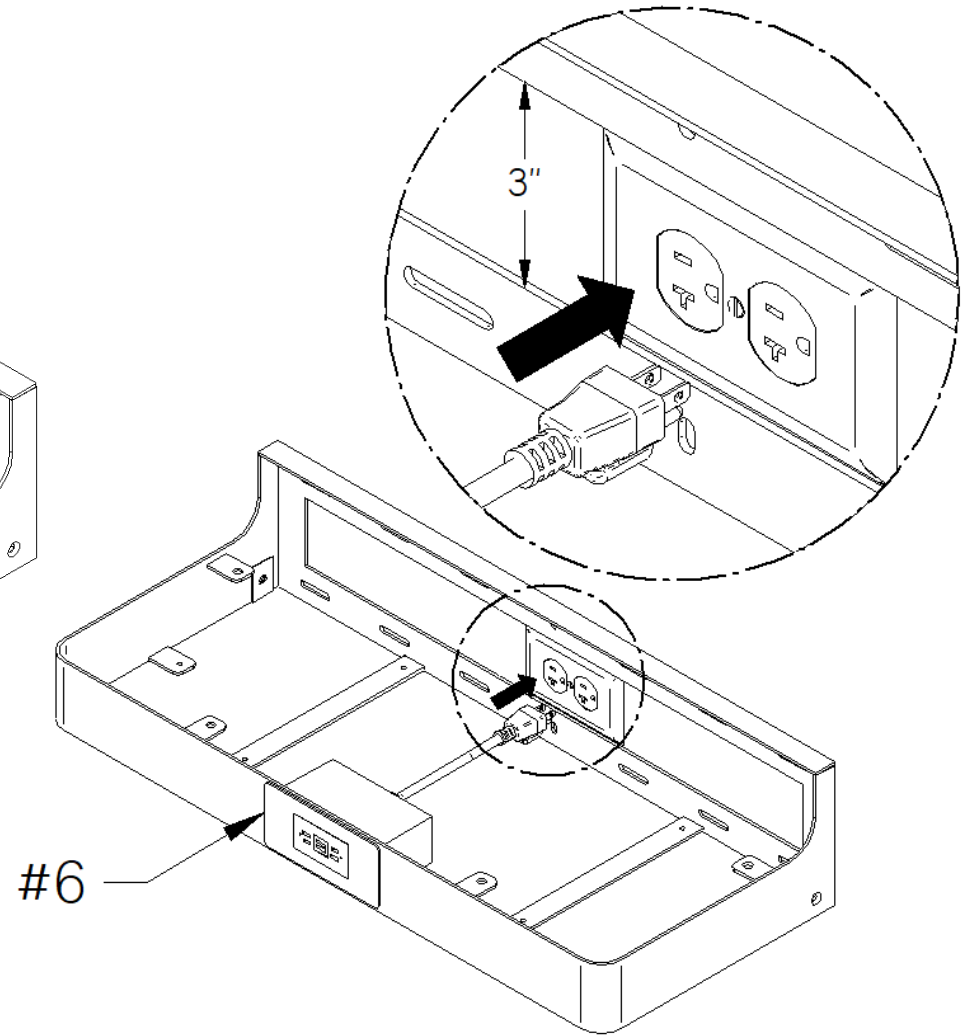
Go-To Wall

Installation Manual

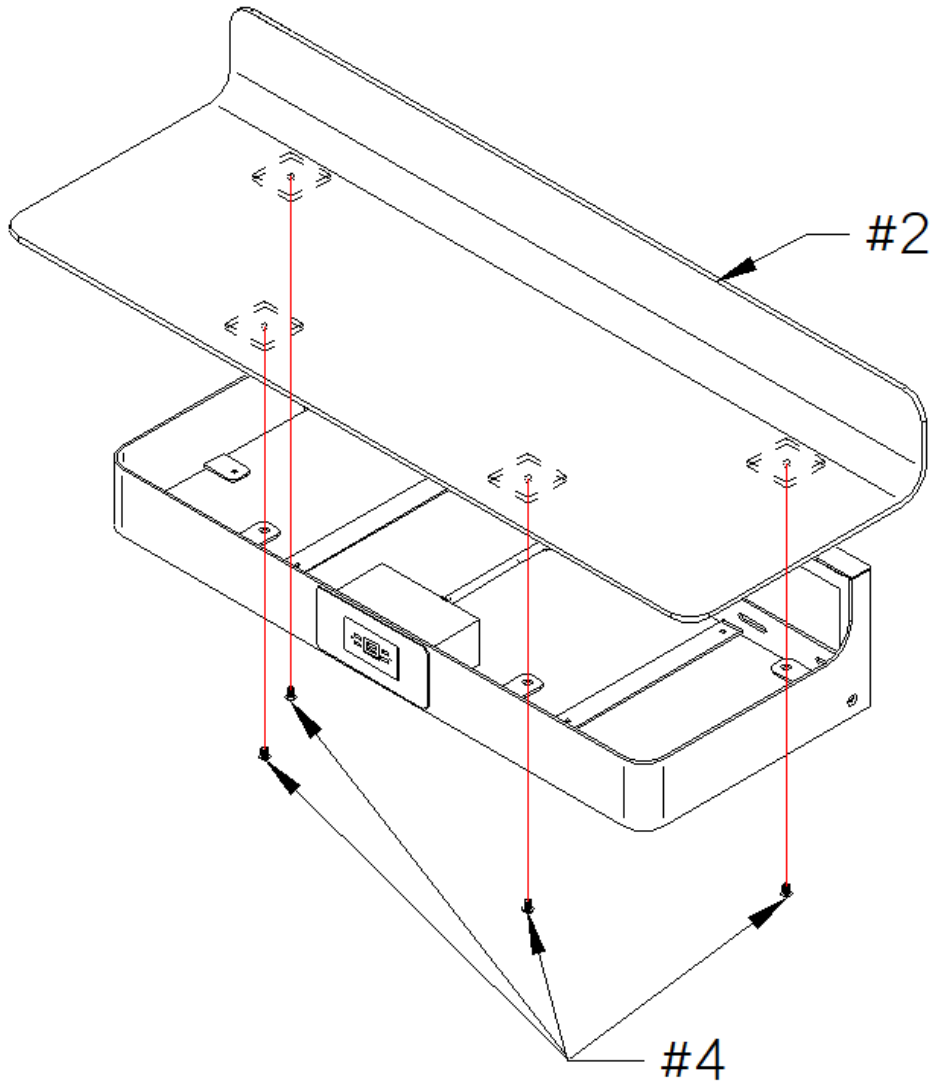
Step 1 Secure Shelf to Wall



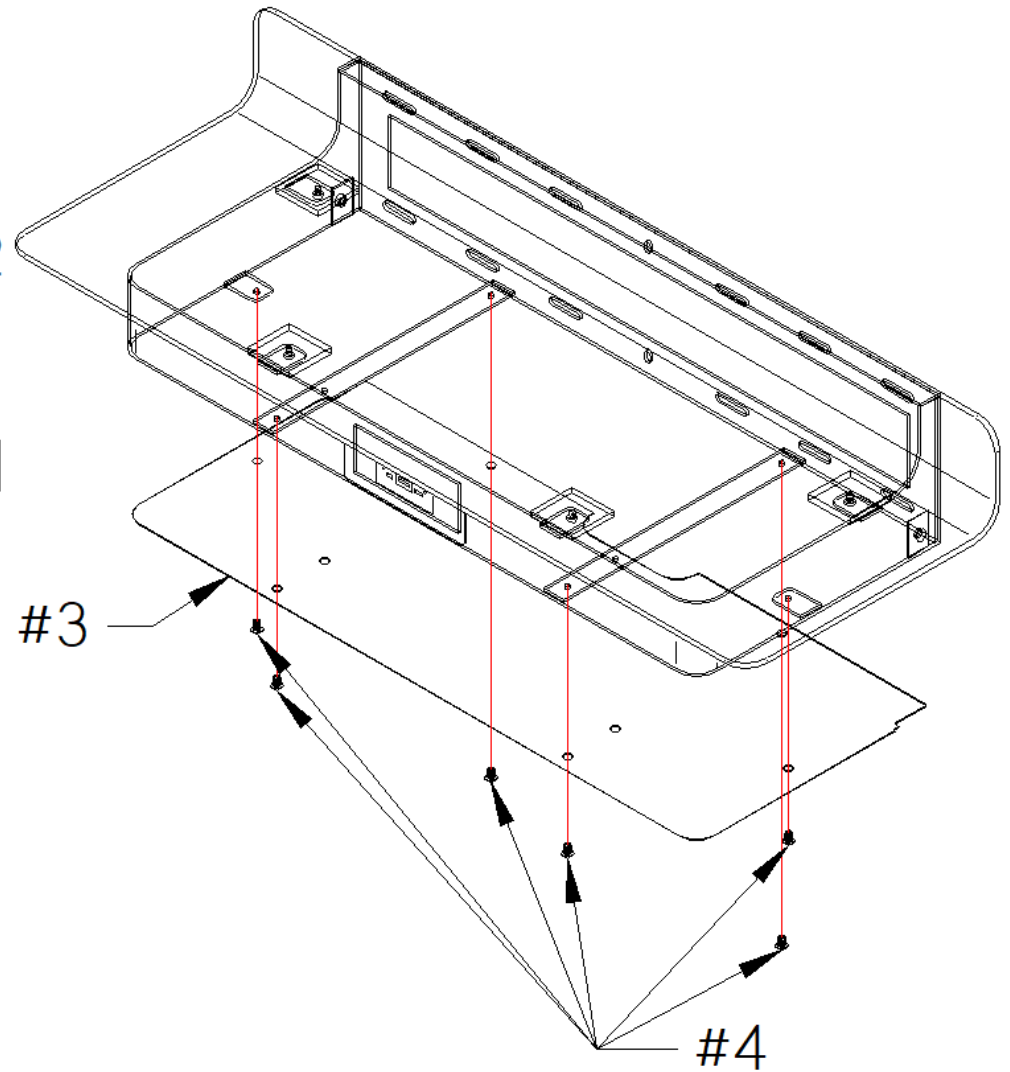
Step 2 If Equipped, Run Electrical to Junction Box



Step 3
Install Top to Shelf



Step 4
Install Shelf Liner to Shelf



Step 5
Install Hooks to Bottom of Shelf

