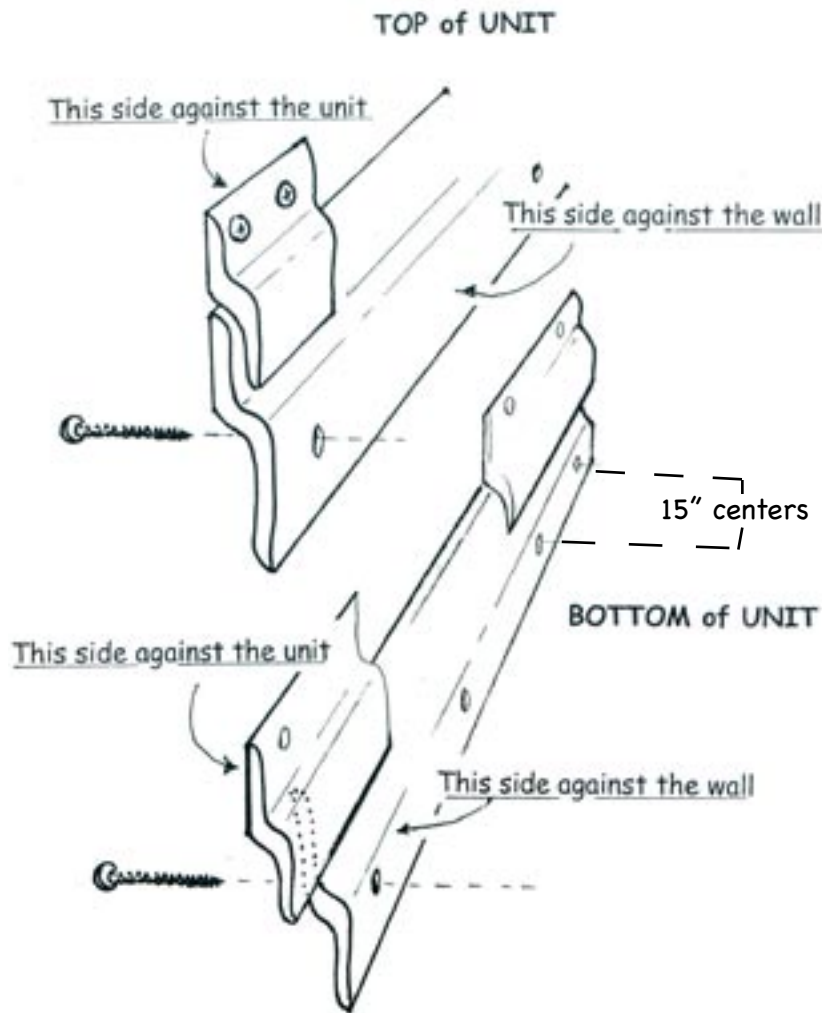


TACTICS WALL CLEAT MOUNTING INSTALLATION INSTRUCTIONS



- 1** The Aluminum Wall Cleat is pre-drilled with fasteners included. These fasteners are suitable for most drywall installations, however the installer should make the final determination.
- 2** We recommend mounting the Wall Cleat 72" from the floor to the bottom of the cleat. This will allow approximately 36" from the floor to the bottom of the panels. Wall cleat mounting height may be raised or lowered to meet your requirements.
- 3** Mount cleat to the wall surface using pre-drilled holes. If a hole is not within 3" from the end, one will need to be drilled for adequate support.
- 4** The connecting mate to the wall cleat has been installed on the back of the board at the factory. Using two installers, lift the board up so the connecting mate on the back of the board is just over the elevation of the wall cleat, push carefully towards the wall surface and lower until the two parts have mated in a positive lock.

CAUTION : THESE INSTRUCTIONS ARE INTENDED FOR **DRYWALL INSTALLATION ONLY!** IF INSTALLATION SURFACE IS OTHER THAN DRYWALL, THE INSTALLER MUST USE APPROPRIATE HARDWARE FOR THE WALL STRUCTURE.

PLEASE NOTE: THESE INSTRUCTIONS ARE SUBJECT TO CHANGE WITHOUT NOTICE.



Peter Pepper Products, Inc. • T: 310.639.0390 x 7 • F: 310.639.6013 • E: customerservice@peterpepper.com