



DEGENKOLB ENGINEERS

300 South Grand Ave. #1115, Los Angeles, CA 90071

(213) 596-5000 (phone)

(213) 596-5000 (phone)

www.degenkolb.com

Sheet
1 of 7

Office Of Statewide Health Planning And Development
ANCHORAGE PRE-APPROVAL

OPA - 2144 - 07

PRODUCT MANUFACTURER: PETER PEPPER PRODUCTS

PRODUCT NAME/TYPE/MODEL: PATIENT ROOM INFORMATION BOARD [IB30XX Series, IB36XX Series, IB48XX Series]

GENERAL NOTES:

- FORCES ARE DETERMINED PER 2007 CALIFORNIA BUILDING CODE SECTION 1613A AND ASCE 7-05 SECTIONS 11, 12 AND 13 USING THE FOLLOWING EQUATION (EQ. 13.3-2):

$$F_p = 1.6 S_Ds I_p W_p = 4.62 W_p$$

$$F_v = 0.2 S_Ds W_p = 0.39 W_p \text{ WHERE,}$$

$$S_Ds = 2/3 F_a S_s = 1.927g \text{ (EQ. 11.4-3)}$$

I_p 1.50

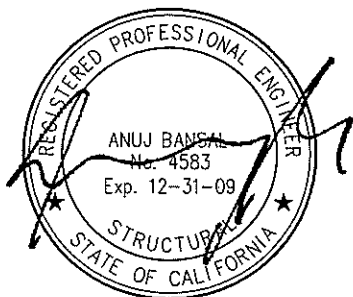
F_a 1.00

S_s 2.89 g

W_p MAXIMUM OPERATING WEIGHT

NOTE THAT THE FORCE LEVEL IS FOR STRENGTH DESIGN

- THIS PRE-APPROVAL CONFORMS TO THE 2007 CALIFORNIA BUILDING CODE.
- THE DETAILS IN THIS PRE-APPROVAL MAY BE USED AT ANY LOCATION IN THE STATE OF CALIFORNIA.
- THE DETAILS MAY BE USED FOR ANY LEVEL OF THE BUILDING WHERE THE ABOVE STATED PRODUCT IS LOCATED.



A P P R O V E D
Fixed Equipment Anchorage
Office of Statewide Health Planning and Development

OPA-2144-07

Pre-approval Program Manager
Anthony R. Pike
(916) 440-8470

George Zhu July 8, 2009
Reviewed By: **George Zhu** Date





DEGENKOLB ENGINEERS

300 South Grand Ave. #1115, Los Angeles, CA 90071

(213) 596-5000 (phone)

(213) 596-5000 (phone)

www.degenkolb.com

Sheet
2 of 7

Office Of Statewide Health Planning And Development
ANCHORAGE PRE-APPROVAL

OPA - 2144 - 07

PRODUCT MANUFACTURER: PETER PEPPER PRODUCTS

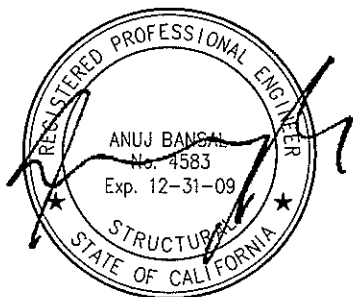
PRODUCT NAME/TYPE/MODEL: PATIENT ROOM INFORMATION BOARD [IB30XX Series, IB36XX Series, IB48XX Series]

GENERAL NOTES (CONT'D):

- 5. ALL LOADS SHOWN ON THE CALCULATIONS ARE BASED ON STRENGTH DESIGN.
- 6. THIS UNIT DOES NOT REQUIRE SEISMIC CERTIFICATION.
- 7. TYPICAL DIMENSIONAL TOLERANCE IS $\pm 1/4"$.

RESPONSIBILITIES OF THE STRUCTURAL ENGINEER OF RECORD:

- 1. VERIFY THAT THE ANCHORS ARE AN ADEQUATE DISTANCE FROM ANY NEW OR EXISTING ANCHORS.
- 2. VERIFY THAT THE ANCHORS ARE AN ADEQUATE DISTANCE FROM ANY WALL OPENINGS.
- 3. VERIFY THE INSTALLATION IS IN CONFORMANCE WITH THE 2007 CBC AND WITH THE DETAILS SHOWN IN THIS PRE-APPROVAL. VERIFY THAT THE EQUIPMENT'S ACTUAL WEIGHT, CG LOCATION, ANCHOR LOCATIONS, ANCHOR DETAILS AND THE MATERIAL AND GAGE OF THE UNIT WHERE ATTACHMENTS ARE MADE AGREE WITH THE INFORMATION SHOWN IN THIS PRE-APPROVAL.
- 4. VERIFY THAT THE CONCRETE WALL / CMU WALL WHICH THE UNIT IS ANCHORED IS NOT CRACKED.
- 5. DESIGN ANY SUPPLEMENTARY MEMBERS AND THEIR ATTACHMENTS WHICH THE UNIT IS ANCHORED TO. VERIFY THE ADEQUACY OF ANY EXISTING MEMBERS AND THEIR ATTACHMENTS WHICH THE UNIT IS ANCHORED TO, FOR THE FORCES EXERTED ON THEM BY THE UNIT IN ADDITION TO ALL OTHER LOADS AND FORCES.



A P P R O V E D
Fixed Equipment Anchorage
Office of Statewide Health Planning and Development

OPA-2144 -07

Pre-approval Program Manager
Anthony R. Pike
(916) 440-8470

George Zhu
Reviewed By: George Zhu

July 8, 2009
Date



DEGENKOLB ENGINEERS

300 South Grand Ave. #1115, Los Angeles, CA 90071

(213) 596-5000 (phone)

(213) 596-5000 (phone)

www.degenkolb.com

Sheet
3 of 7

Office Of Statewide Health Planning And Development
ANCHORAGE PRE-APPROVAL

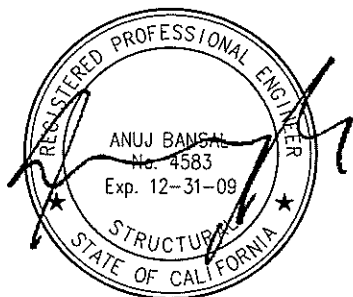
OPA - 2144 - 07

PRODUCT MANUFACTURER: PETER PEPPER PRODUCTS

PRODUCT NAME/TYPE/MODEL: PATIENT ROOM INFORMATION BOARD [IB30XX Series, IB36XX Series, IB48XX Series]

MATERIAL SPECIFIC NOTES FOR SUPPORTING STRUCTURAL MEMBERS:

1. LIGHT GAGE METAL:
MINIMUM GAGE: 20 GA.
MINIMUM YIELD STRENGTH (fy) = 33 KSI
2. WOOD:
MINIMUM GRADE: DOUGLAS FIR NO.3 OR BETTER
MINIMUM SPECIFIC GRAVITY (G) = 0.46
3. CONCRETE:
MINIMUM UNIT WEIGHT = 110 pcf (LIGHT WEIGHT CONCRETE)
MINIMUM UNIT WEIGHT = 145 pcf (NORMAL WEIGHT CONCRETE)
MINIMUM COMPRESSIVE STRENGTH (fc) = 2500 PSI
4. MASONRY:
MINIMUM COMPRESSIVE STRENGTH (fm) = 1500 PSI
5. SEE 2007 CALIFORNIA BUILDING CODE FOR MORE INFORMATION AND OTHER REQUIREMENTS..
6. IF THE WOOD MATERIAL USED HAS A LOWER QUALITY THAN WHAT IS SPECIFIED ABOVE, SEOR SHALL EVALUATE THE BACKING SUPPORT DESIGN.



A P P R O V E D
Fixed Equipment Anchorage
Office of Statewide Health Planning and Development

OPA-2144 -07

Pre-approval Program Manager:
Anthony R. Pike
(915) 440-8470

George Zhu July 8, 2009
Reviewed By: George Zhu Date





Degenkolb Engineers
 300 S. Grand Ave. #1115, Los Angeles, CA 90071
 (213) 596-5000 - (213) 596-5960

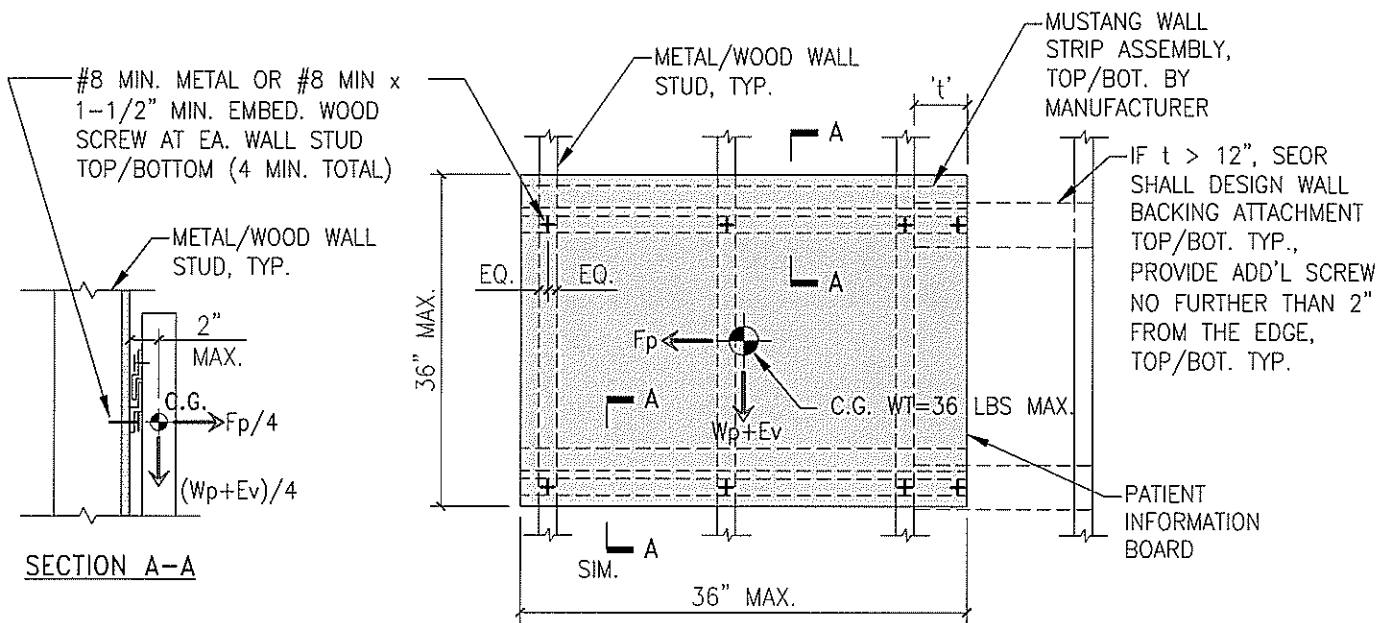
Sheet
 4 of 7

PETER PEPPER PRODUCTS

PATIENT ROOM INFORMATION BOARD
 IB30XX / IB36XX / IB48XX SERIES

Designed By	TY
Project #	A8621021.00
Date	10/24/2008

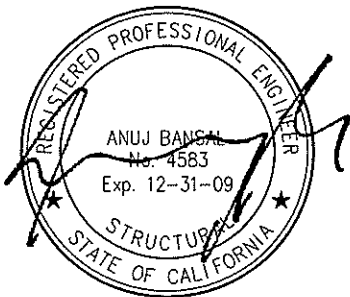
30"/36" WIDE PANEL - METAL/WOOD STUDWALL ATTACHMENT



ELEVATION

MAXIMUM DEMANDS AT WALL SCREWS

CASE 1: EQ FORCE PERPEND. TO WALL	
TENSION = 43.2 LBS	SHEAR = 14.3 LBS
CASE 2: EQ FORCE PARALLEL TO WALL	
TENSION = 6.2 LBS	SHEAR = 44.0 LBS



A P P R O V E D
 Fixed Equipment Anchorage
 Office of Statewide Health Planning and Development

OPA-2144-07
 Pre-approval Program Manager
 Anthony R. Pike
 (916) 440-8470

George Zhu
 Reviewed By: George Zhu
 Date: July 8, 2009



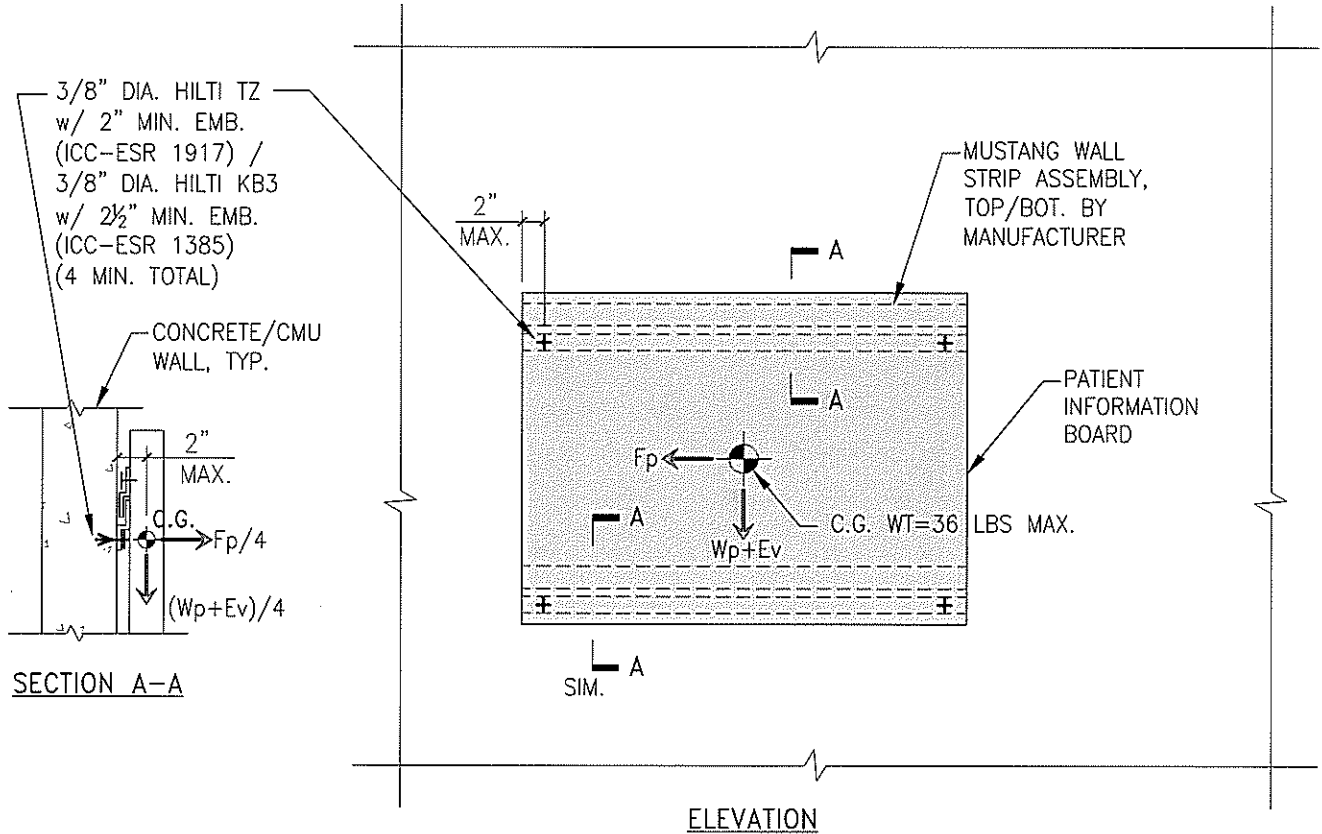
Degenkolb Engineers
 300 S. Grand Ave. #1115, Los Angeles, CA 90071
 (213) 596-5000 - (213) 596-5960

Sheet
 5 of 7

PETER PEPPER PRODUCTS
PATIENT ROOM INFORMATION BOARD
IB30XX / IB36XX / IB48XX SERIES

Designed By	TY
Project #	A8621021.00
Date	10/24/2008

30"/36" WIDE PANEL - CONCRETE/CMU WALL ATTACHMENT

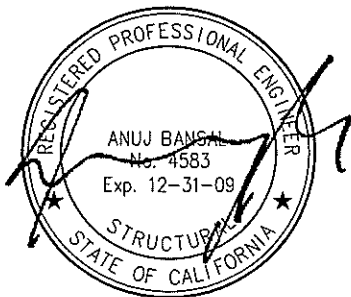


MAXIMUM DEMANDS AT WALL ANCHORS

CASE 1: EQ FORCE PERPEND TO WALL	
TENSION = 56.1 LBS	SHEAR = 18.6 LBS
CASE 2: EQ FORCE PARALLEL TO WALL	
TENSION = 8.1 LBS	SHEAR = 57.2 LBS

NOTES:

1. SEE PAGE 4 FOR INFO NOT SHOWN



A P P R O V E D
 Fixed Equipment Anchorage
 Office of Statewide Health Planning and Development

OPA-2144-07
 Pre-approval Program Manager:
 Anthony R. Pike
 (916) 440-8470

George Zhu
 Reviewed By: **George Zhu** Date: **July 8, 2009**



Degenkolb Engineers
 300 S. Grand Ave. #1115, Los Angeles, CA 90071
 (213) 596-5000 - (213) 596-5960

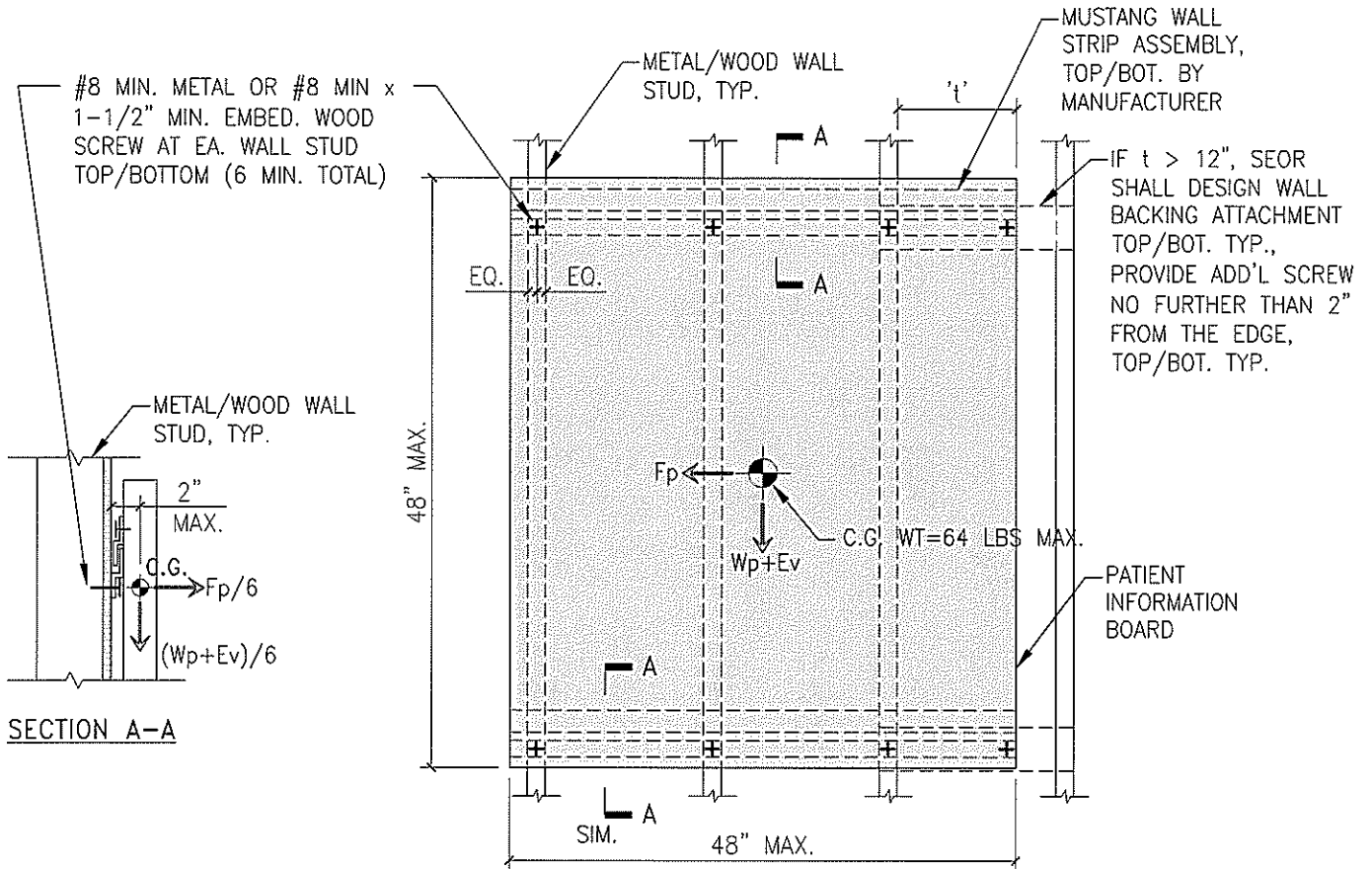
Sheet
 6 of 7

PETER PEPPER PRODUCTS

PATIENT ROOM INFORMATION BOARD
 IB30XX / IB36XX / IB48XX SERIES

Designed By	TY
Project #	A8621021.00
Date	10/24/2008

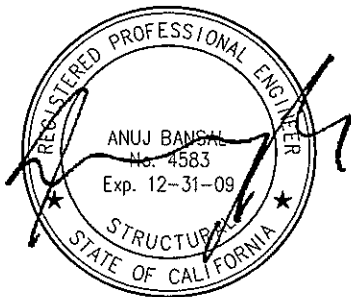
48" WIDE PANEL - METAL/WOOD STUDWALL ATTACHMENT



ELEVATION

MAXIMUM DEMANDS AT WALL SCREWS

CASE 1: EQ FORCE PERPEND. TO WALL	
TENSION = 51.4 LBS	SHEAR = 17.0 LBS
CASE 2: EQ FORCE PARALLEL TO WALL	
TENSION = 8.3 LBS	SHEAR = 52.1 LBS



APPROVED

Fixed Equipment Anchorage
 Office of Statewide Health Planning and Development

OPA-2144-07

Pre-approval Program Manager
 Anthony R. Pike
 (916) 440-8470

George Zhu
 Reviewed By: George Zhu

July 8, 2009
 Date



Degenkolb Engineers
 300 S. Grand Ave. #1115, Los Angeles, CA 90071
 (213) 596-5000 - (213) 596-5960

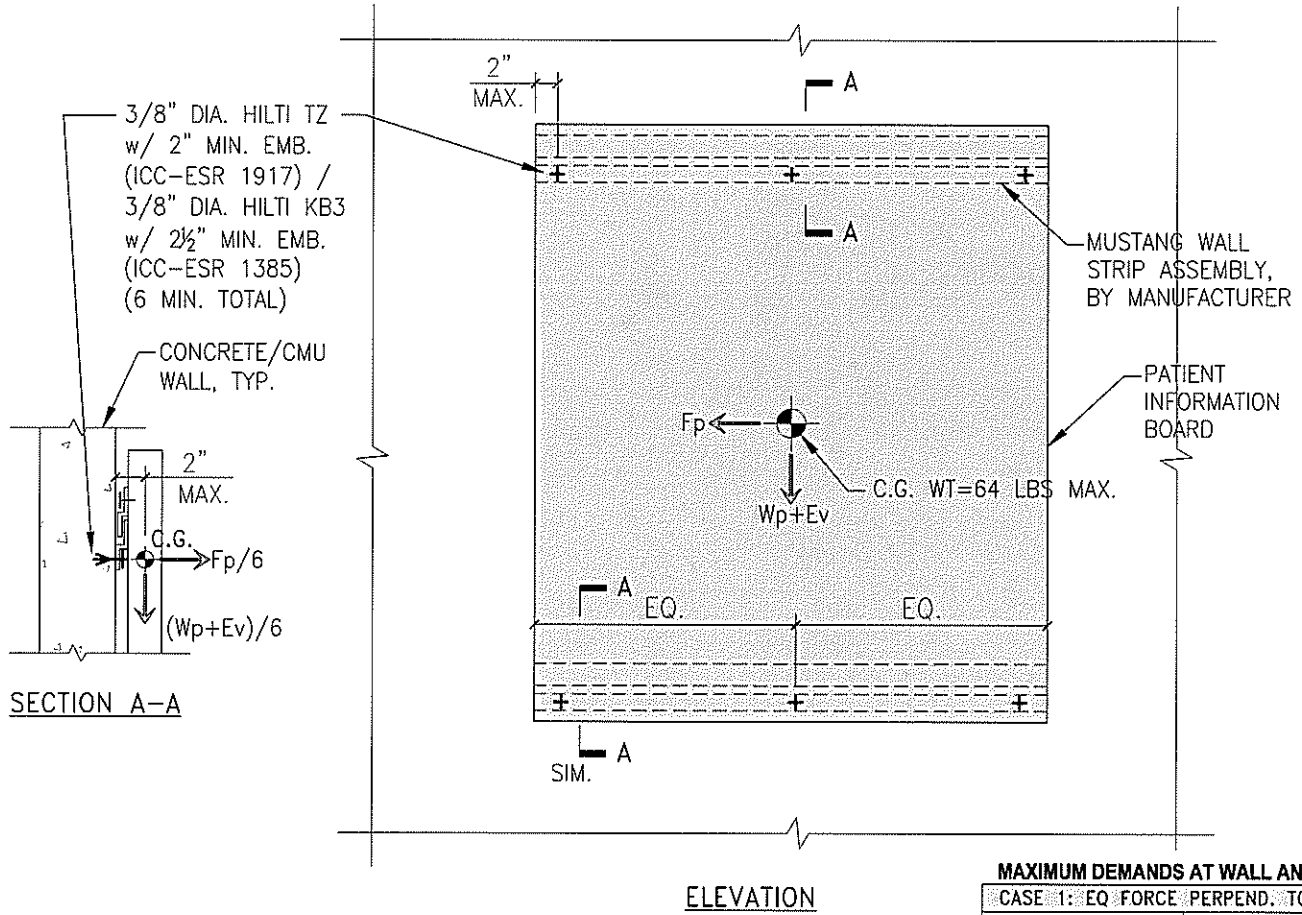
Sheet
 7 of 7

PETER PEPPER PRODUCTS

PATIENT ROOM INFORMATION BOARD
 IB30XX / IB36XX / IB48XX SERIES

Designed By	TY
Project #	A8621021.00
Date	10/24/2008

48" WIDE PANEL - CONCRETE/CMU WALL ATTACHMENT

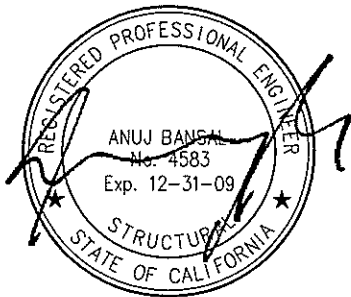


MAXIMUM DEMANDS AT WALL ANCHORS

CASE 1: EQ FORCE PERPEND. TO WALL	
TENSION = 66.8 LBS	SHEAR = 22.0 LBS
CASE 2: EQ FORCE PARALLEL TO WALL	
TENSION = 10.8 LBS	SHEAR = 67.8 LBS

NOTES:

1. SEE PAGE 6 FOR INFO NOT SHOWN



A P P R O V E D
 Fixed Equipment Anchorage
 Office of Statewide Health Planning and Development

OPA-2144-07

Pre-approval Program Manager
 Anthony R. Pike
 (916) 440-8470

George Zhu
 Reviewed By: George Zhu

July 8, 2009
 Date